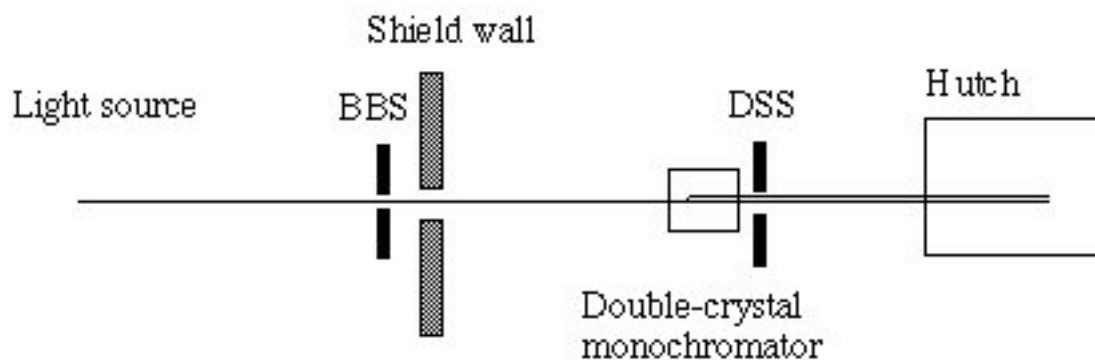


BL-15C Monochromatic / white X-ray station

This station provides monochromatic or white X-rays and is used for various types of X-ray diffraction/scattering experiments.

The beamline is equipped with a fixed-exit double-crystal monochromator for monochromatic-beam experiments. The monochromator crystals can be removed from the beam path for white-beam experiments.



SCHEMATIC VIEW OF THE BEAMLINE

Area of Research

X-ray diffraction/scattering

Light Source

Bending magnet

Optics

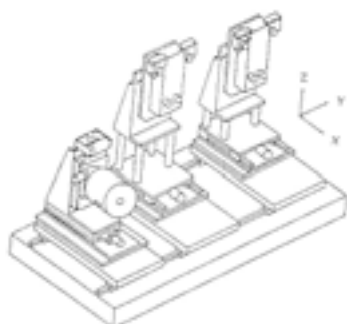
Fixed-exit double-crystal monochromator

Photons at sample

Energy range: monochromatic (4-20 keV) or white radiation
 Energy resolution: 10^{-4} ($\Delta E/E$)
 Beam size: 60 mm(H) \times 7 mm(V)
 Photon flux: 10^{11} photons/s (max)

Facilities in Experimental Station

High-precision goniometers



References

1. Nucl. Instrum. and Methods **A246** (1986) 613.
2. Rev. Sci. Instrum. **60** (1989) 2490.

Contact Persons

Keiichi HIRANO (Photon Factory)
 Phone: +81-298-64-5649 / Fax: +81-298-64-2801
 e-mail: keiichi.hirano@kek.jp

(Jan. 2001)